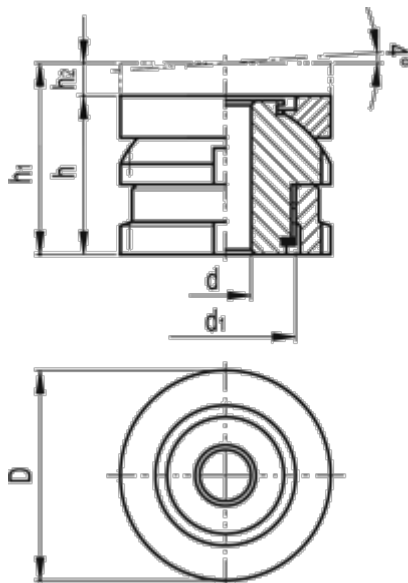


Article number: 203502256622NI

Description: E+G Levelling sets GN 350.2-25-6.6-22-NI

Measures



C-spanner DIN 1810 = A25-28

d = 6.6

D = 25

d1 = M15x1

For screw = M6

h = 22

h1 = 26

h2 = 4

Max static load (kN) = 27.1

Static preload (kN) = 22.24

Weight (g) = 66